

RadonAway™

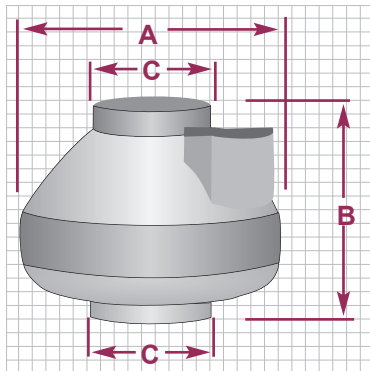


Radon Mitigation Fans

Specially designed for radon mitigation, RP Series Fans provide superb performance, run ultra-quiet and are attractive. They are ideal for most subslab radon mitigation systems.

- ◆ 5-Year Warranty
- ◆ Quiet and attractive
- ◆ Thermally protected
- ◆ Motorized impeller
- ◆ ETL Listed - for indoor or outdoor use
- ◆ Meets all electrical code requirements
- ◆ Rated for commercial and residential use

RP Series



Model	Dimensions		
	A	B	C Duct Size
RP140	9.7"	8.5"	4"
RP145	9.7"	8.5"	4"
RP260	11.75"	8.6"	6"
RP265	11.75"	8.6"	6"



The following chart shows performance of RP Series fans:

Model	Watts	Maximum Pressure "WC	Typical CFM vs. Static Pressure WC				
			0"	0.5"	1.0"	1.5"	2.0"
RP140	14-20	0.8	134	68	-	-	-
RP145	37-71	2.1	173	132	94	55	11
RP260	52-72	1.8	275	180	105	20	-
RP265	86-140	2.5	327	260	207	139	57

Choice of model is dependent on building characteristics including sub-slab materials and should be made by a radon professional.

FOR FURTHER INFORMATION CONTACT: