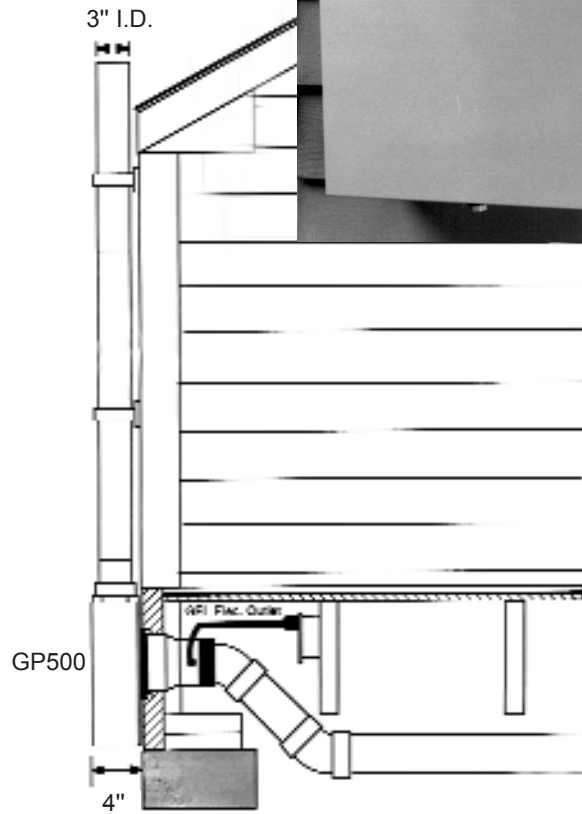
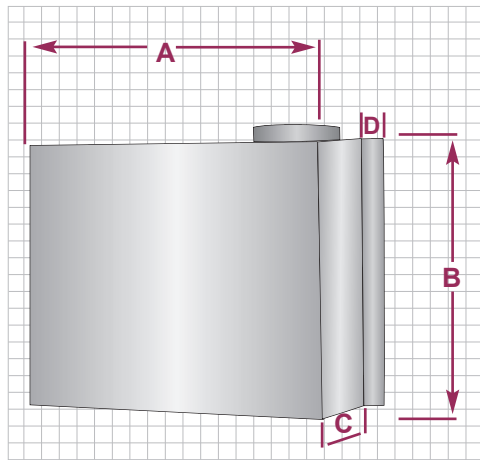
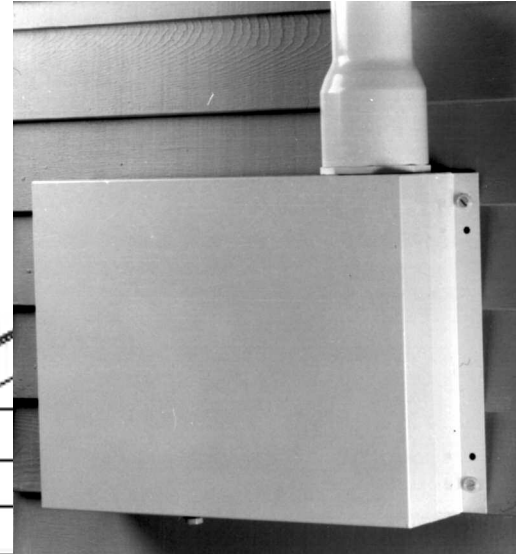


# GP500

## Radon Mitigation Fan

The GP500 is an attractive alternative to the common inline tube fan. The flush mounting of the GP500 protrudes only 4" giving a neat, unobtrusive appearance. The electrical connection is inside the house.

- ◆ Attractive alternative to inline tube fans
- ◆ Very quiet and attractive
- ◆ Three-Year Warranty
- ◆ Thermally protected
- ◆ High performance
- ◆ None yellowing finish



Model	Duct	Watts	Maximum Pressure "WC	Typical CFM vs. Static Pressure WC							Dimensions			
				1.0"	1.5"	2.0"	2.5"	3.0"	3.5"	4.0"	A	B	C	D
GP 500	3"	70-130	4.3	88	80	74	65	54	28	14	15"	12"	4"	1"

**FOR FURTHER INFORMATION CONTACT:**